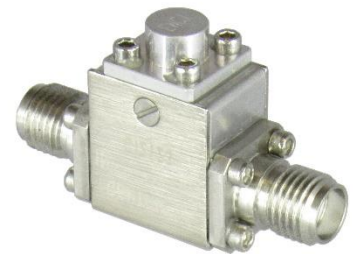




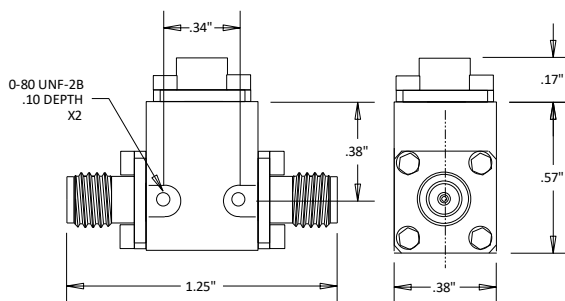
CI2123 SMA/Female Isolator 21 – 23 GHZ

Rev 000

Electrical	
Frequency	21 – 23 GHZ
VSWR	1.25
Impedance	50 Ohms
Isolation	20 dB Min
Insertion Loss	0.5 dB
Power Handling	5 Watts Forward / 1 Watts Reverse
Mechanical	
SMA Interface per	MIL-STD-348B
Operating Temperature	0°C to +50°C
Materials	
Body(SMA)	Passivated Stainless Steel
Contacts	BeCu
Contact Plating	Au Per MIL-G-45204
Dielectric	PTFE
ROHS Compliant	



Outline



Dimensional Tolerances

.X	±.030
.XX	±.010
.XXX	±.005

Typical Data

